



**WRIGHT COUNTY  
DEPARTMENT OF HIGHWAYS**

Wright County Public Works Building  
3600 Braddock Avenue NE  
Buffalo, Minnesota 55313

Jct TH 25 and CR 138  
Telephone (763) 682-7383 FAX (763) 682-7313

**MAILBOX SUPPORT APPLICATION**

Access Permit # \_\_\_\_\_

INFORMATION NEEDED PRIOR TO INSTALLATION:

Application Date: \_\_\_\_\_

Property Owner/Applicant \_\_\_\_\_ Mailing Address \_\_\_\_\_ City/State \_\_\_\_\_ Zip \_\_\_\_\_

Daytime Telephone Number: \_\_\_\_\_ Applicant Requests Phone Call: Yes  No

COUNTY HIGHWAY NO. \_\_\_\_\_ Specific location from nearest intersection: \_\_\_\_\_

Is there an existing mailbox? Yes  No  Is house number on the mailbox? Yes  No

Other identifying features of residence: \_\_\_\_\_

Side of road mailbox support is to be installed: N S E W \_\_\_\_\_ Date mailbox support needed: \_\_\_\_\_  
(Circle One)

(It is the property owner's responsibility to verify mailbox support location with the local post office.)

Additional information : \_\_\_\_\_

**A \$110 MAILBOX SUPPORT FEE, PLUS \$15 IF MAILBOX IS DESIRED (includes installation and tax), IS DUE AT TIME OF APPLICATION.**

(SEE PAGE 2 FOR MAILBOX SUPPORT DESIGN)

**SUPPORT ONLY \$110.00 or SUPPORT and MAILBOX \$125.00**

(Circle One)

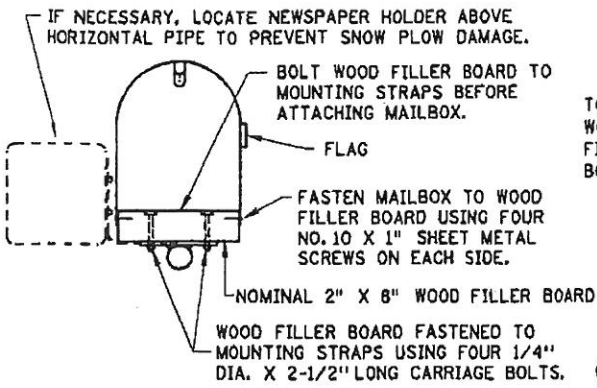
DATE RECEIVED: \_\_\_\_\_

CASH \_\_\_\_\_ CHECK # \_\_\_\_\_

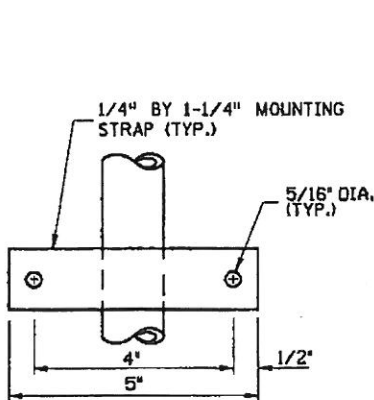
As an applicant, I understand that installation of a mailbox support conforming to county policy is required along all county highways. A copy of the county approved safety support is attached to this form. Wright County Highway Department will install approved mailbox support upon payment for materials. **INSTALLATION OF MAILBOX SUPPORT WILL OCCUR WITHIN A REASONABLE TIME PERIOD. A MINIMUM OF 2 – 3 WEEKS CAN BE EXPECTED.** Property owner is responsible for purchasing and installing a mailbox conforming with U.S. Postal Service requirements if mailbox is not purchased with the support. Newspaper/advertising delivery boxes, if desired, must be attached to the support alongside the mailbox. Newspaper/advertising delivery boxes shall not be installed on separate posts. I further understand that the mailbox support shall be the property of the property owner upon completion of installation, and any further repair or replacement will be at the owner's expense. Also, I shall conform to the requirements as stated in the attached Wright County Mailbox Placement and Maintenance Policy.

\_\_\_\_\_  
Applicant's Signature

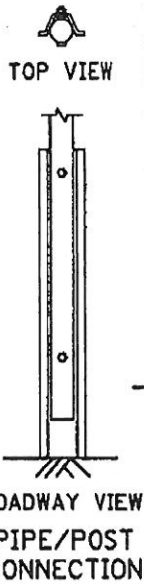
- Copies to:  Applicant (with attachment)  
 Office  
 Traffic Sign Division



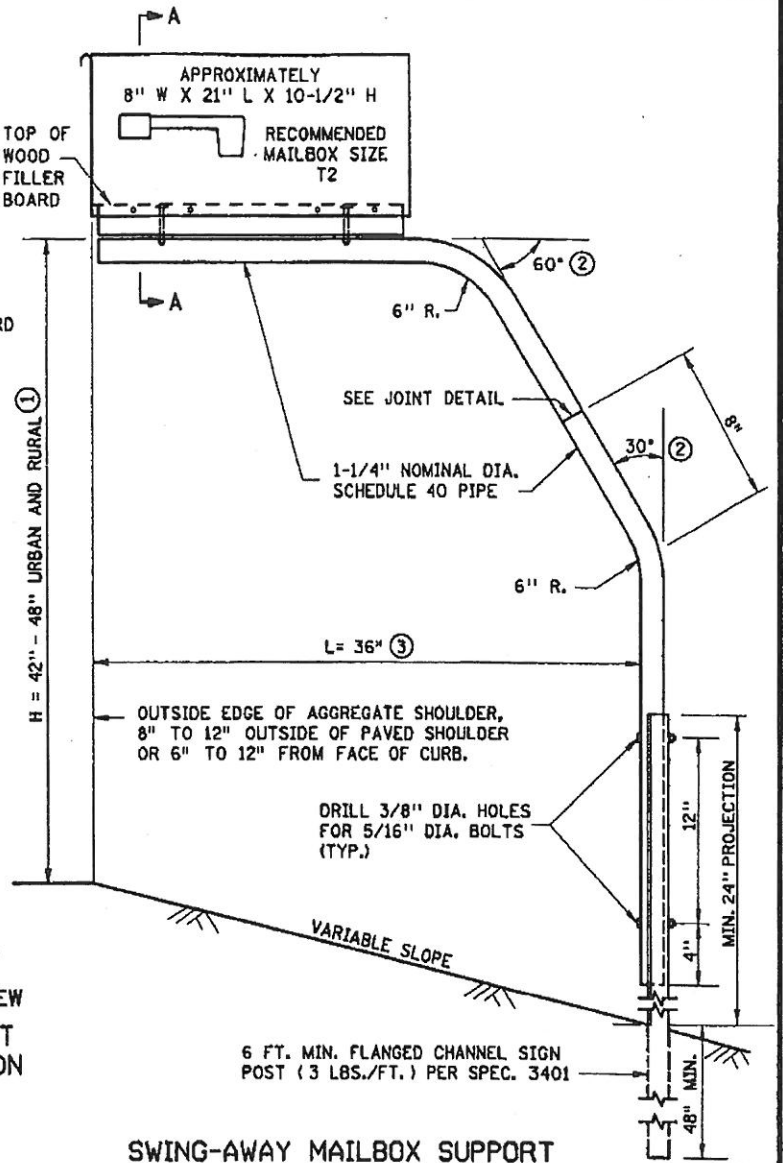
SECTION A-A



MOUNTING STRAP DETAIL



ROADWAY VIEW  
PIPE/POST  
CONNECTION



SWING-AWAY MAILBOX SUPPORT

APPROVED JUNE 1, 2007

*M. Rakus*

STATE DESIGN ENGINEER

STATE OF MINNESOTA  
DEPARTMENT OF TRANSPORTATION

MAILBOX SUPPORT  
SWING-AWAY TYPE

SPECIFICATION  
REFERENCE

3362  
3391  
3392  
3401

STANDARD  
PLATE  
NO.

9350A